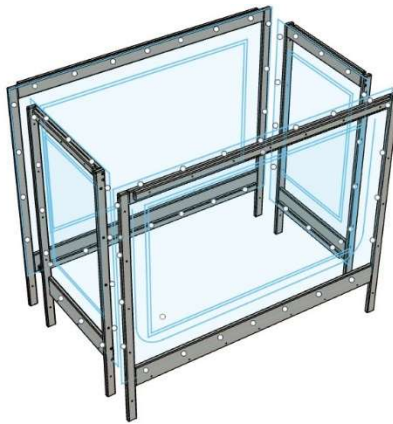


Partial Disassembly of Courtney Bed

Overview:

The bed is comprised of (4) independent frames. These frames are held together by (5) connector bolts and end caps along the vertical posts and (3) horizontal boards that support the mattress platforms.

These frames can be disassembled with the fabric still attached. The dimensions of the independent frames are approximately 75" inches high, allowing manipulation out/around a door frame.



***** If there is a top panel option or exterior padding option on the bed, these will need to be removed prior to partial disassembly*****

To remove the top panel option: (skip this if no top)

Step 1:

Using a 5mm hex head wrench on the front of the fabric clamp and a 4mm hex head wrench inside the bed frame, remove the end caps from the front of the fabric clamp, maintaining the bolt through the fabric and bed frame.

Step 2:

Once all caps are removed, the fabric clamp can be taken off. The top panel can then be removed from the bolts. The fabric clamp will need to be re-installed to hold the fabric in place during moving.

Do this to all (4) fabric clamps around the top of the bed frame.

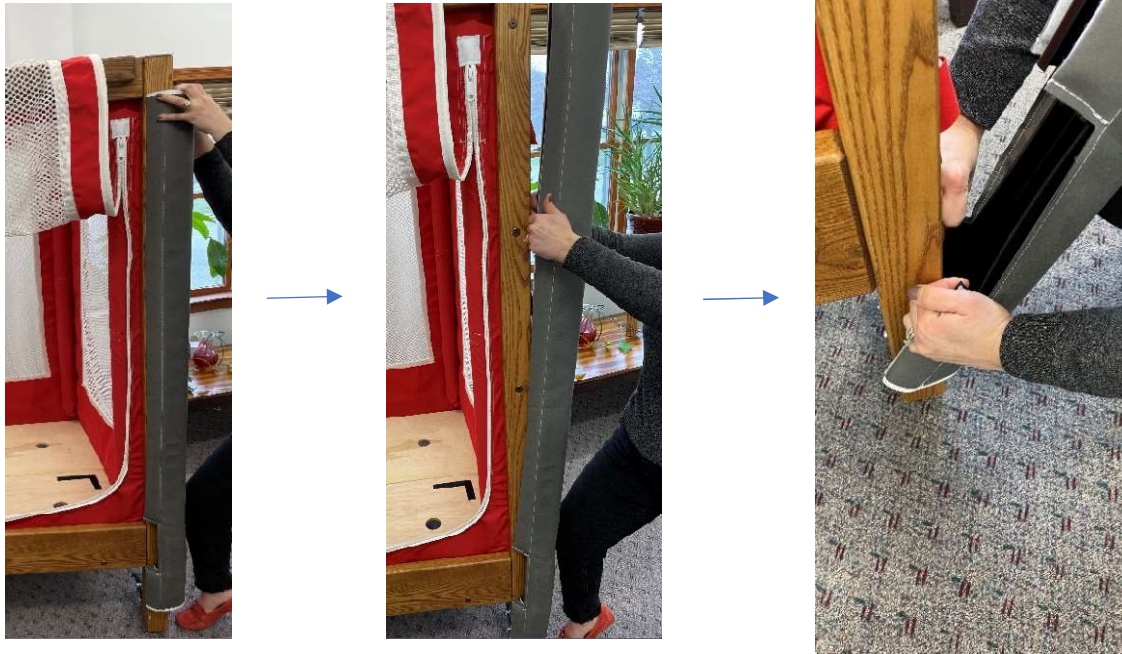


To remove exterior padding option: (Skip this if no exterior padding)

Step 1: Remove the vertical post pad/bracket assemblies

The vertical post pads consist of a fabric/foam pad attached with hook & loop to a plastic bracket. The pad can stay on the bracket for this step. You do not need to separate the pad from the bracket with the hook & loop.

Starting at the top of the vertical post, spread apart and pull the pad/bracket assembly towards you. Once it starts to come off the post, work your way down spreading and pulling as you go until the bracket pops off.



Step 2: Remove the front & back horizontal rail pads

The front and back horizontal pads are attached directly with hook & loop. The pads on the front and back need to be removed to access the cross support board bolts. The end frame pads can stay on the bed.

Remove the mattress, this will make accessing the pads easier. The pads are then removed by simply separating the pad from the rail with the hook & loop

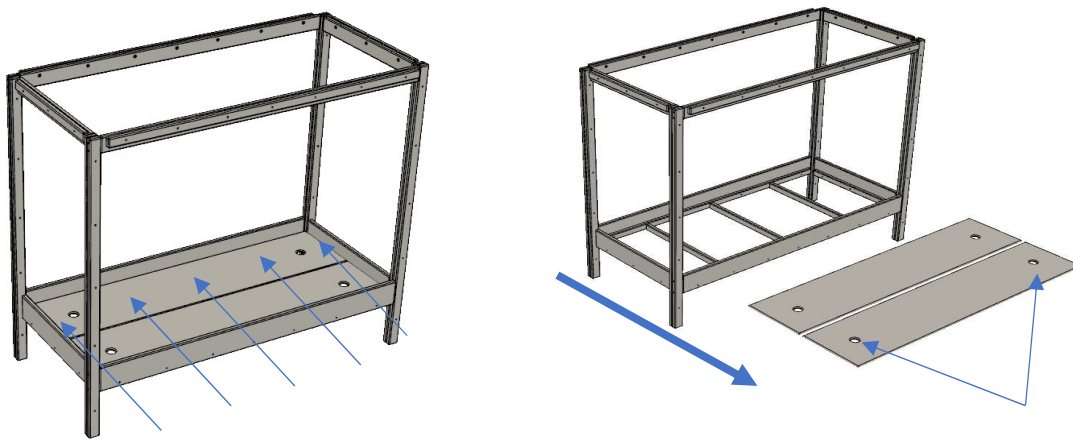


Partial disassembly of bed frame:

Step 1: Remove mattress & mattress platform boards

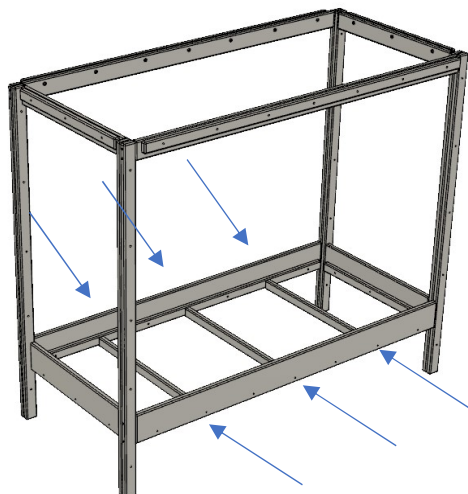
Pull out the mattress (if not done so already). Remove the (10) screws attaching the mattress platform boards. (5 in each)

Remove the platform boards. They have grab handles installed in each end to ease installation/removal.



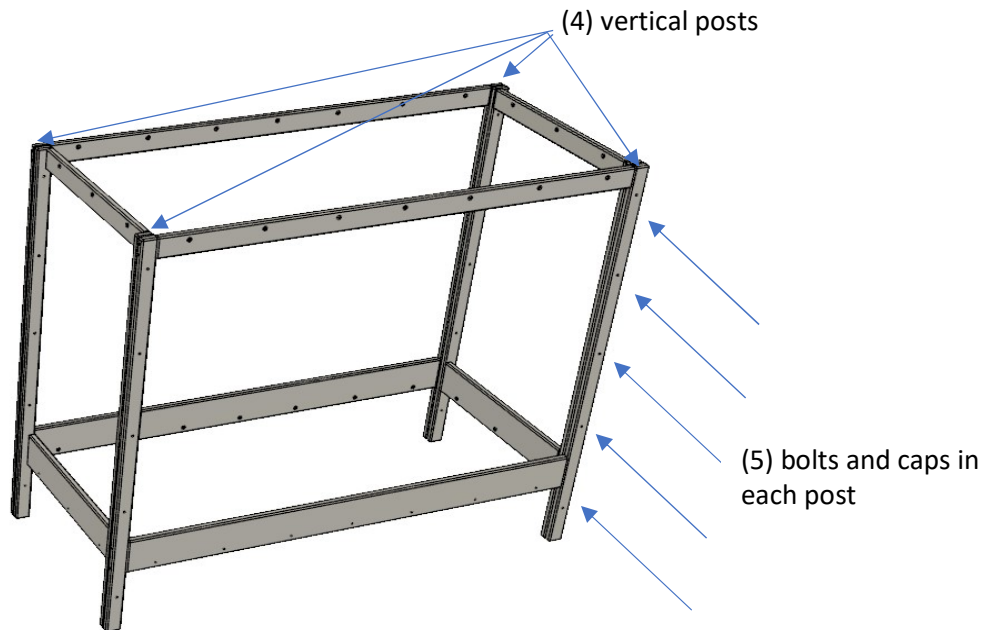
Step 2: Remove the mattress cross support boards

Remove the (6) 100mm connector bolts and (3) support boards. Shown by arrows in the picture below.



Step 3: Disconnect the (4) Bed Frames

Using a 5mm hex head wrench on the front of the vertical post and a 4mm hex head wrench on the back, remove the (5) connector bolts and caps along the vertical posts in the (4) corners of the bed frame.



Finish:

Once all connector bolts in the vertical post have been removed, (4) independent frames will still be assembled with the fabric attached.

